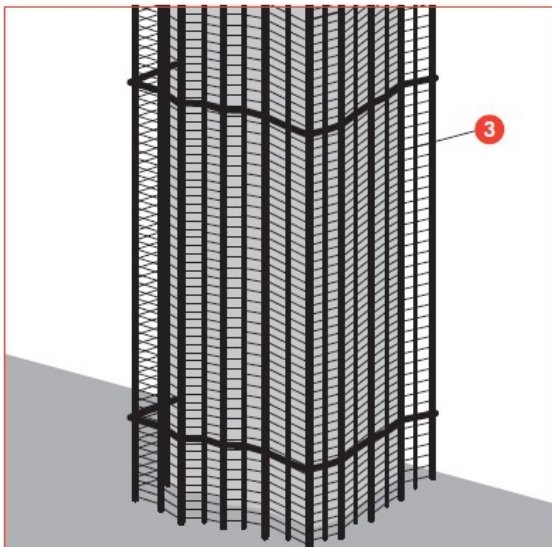
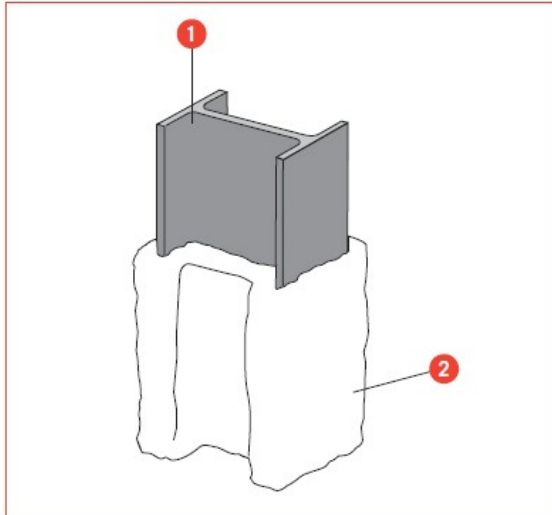


## PERLIFOC

### TECHNICAL DATA:

- ❶ Metal profile
- ❷ Mortar coating
- ❸ Metal mesh



Composed of expanded lightweight aggregate, perlite and vermiculite, hydraulic binders, setting retarders and additives to improve spraying.

Does not contain asbestos.

### APPLICATION:

This material comes ready for use. For both manual and mechanical application, between 8 and 9 litres of water per bag should be added. For manual application we recommend suitably securing a metal mesh (see page 24) to the surface to be protected first. Mechanical application must be carried out using a wet mortar spraying machine with a screw pump, such as the PUTZMEISTER MP-25. Environmental humidity conditions should be less than 97% and the temperature should be above 0°C.

### PACKAGING:

20 kg bags  
Pallets of 54 bags.

### STORAGE:

PERLIFOC can be used up to one year after delivery if it is stored in such a way that it is protected from rain, moisture and cold. The bag should be kept closed and in a dry place.

### STANDARDS:

Perlifoc MORTAR has been tested to the following standards:  
European: (EN standard).  
Chilean: Nch 935/1  
Certification: CE, ETA 12/0005

### TECHNICAL DATA:

**Powder mass:** 550 and 650 kg/m<sup>3</sup>  
**pH:** 12 non-oxidizing  
**Fire resistance:** A1  
**Resistance to water flow:** UNE 23806-81 standard  
**Thermal conductivity:** 0.29 W/mK  
**Adhesion:** Up to 0.15 N/mm<sup>2</sup>  
**Application temperature:** above 0°C  
**Flexural strength:** ≥ 1 Mpa  
**Compressive strength:** ≥ 2 Mpa  
**Tensile strength:** ≥ 0.5 Mpa

### Colour:

- Blanco
- Gris oscuro (casi negro)
- Gris
- Rojo
- Azul
- Teja
- Verde